



Open Energy for All

Technical Note

Grids Supported by
HoyMiles Microinverters

Version: V202110

Release date: 2021-10-13

Introduction

The most-common LV supplies are within the range from 127 V to 240 V single phase and 120 V/208 V to 240/415 V 3-phase.

This document provides an overview of these common AC grids and the compatibility of Hoymiles microinverters.

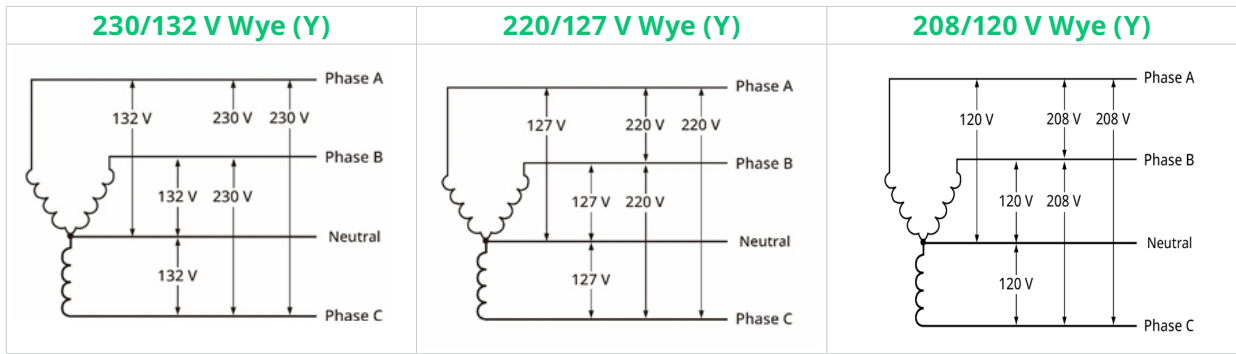
Grid compatibility

L indicates Line connection and N indicates Neutral connection in the following tables.

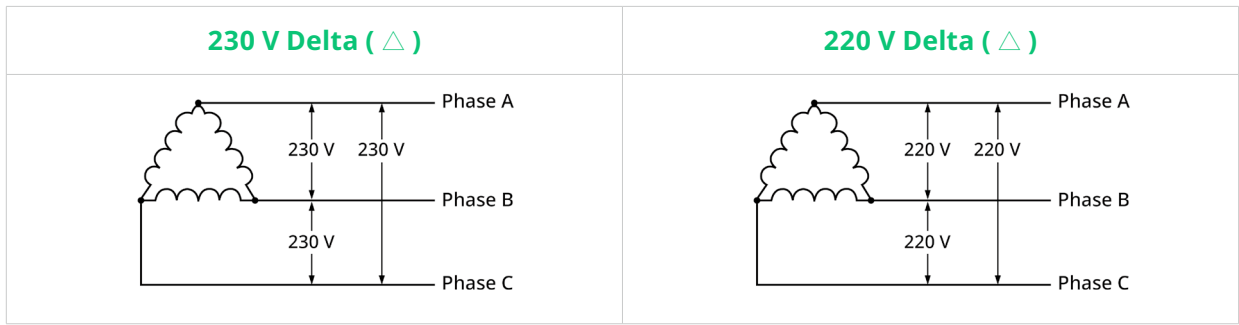
For single-phase microinverters, L-N indicates that the AC output of the inverter is connected to the live line and the neutral line, and L-L indicates that the AC output of the inverter is connected to the two live lines.

For three-phase microinverters, L-N means that the AC output of the inverter is connected to the three live lines and the neutral line respectively.

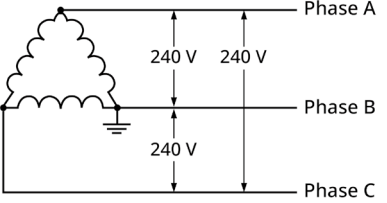
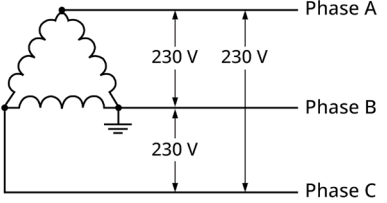
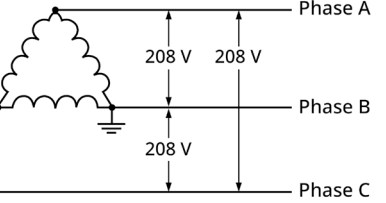
415/240 V Wye (Y)			400/230 V Wye (Y)			380/220 V Wye (Y)		
Single Phase Inverters (L-N)						Three Phase Inverters (L-N)		
MI series	HM series	HMS series	HMT series					
MI-300	HM-300	HMS-400-1T	HMT-1800-6T					
MI-350	HM-350	HMS-450-1T	HMT-2250-6T					
MI-600	HM-400	HMS-500-1T						
MI-700	HM-600	HMS-800-2T						
MI-1200	HM-700	HMS-900-2T						
MI-1500	HM-800	HMS-1000-2T						
	HM-1200	HMS-1600-4T						
	HM-1500	HMS-1800-4T						
		HMS-2000-4T						



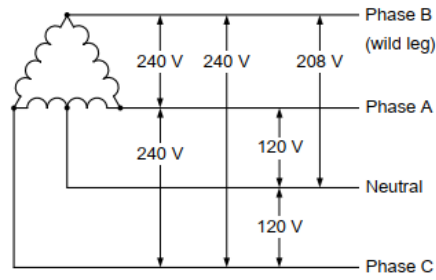
Single Phase Inverters (L-L)			Single Phase Inverters (L-N)	
MI series	HM series	HMS series	MI series	HMS series
MI-300	HM-300	HMS-400-1T	MI-600LV	HMS-800-2T-LV
MI-350	HM-350	HMS-450-1T	MI-700LV	
MI-600	HM-400	HMS-500-1T		
MI-700	HM-600	HMS-800-2T		
MI-1200	HM-700	HMS-900-2T		
MI-1500	HM-800	HMS-1000-2T		
	HM-1200	HMS-1600-4T		
	HM-1500	HMS-1800-4T		
		HMS-2000-4T		



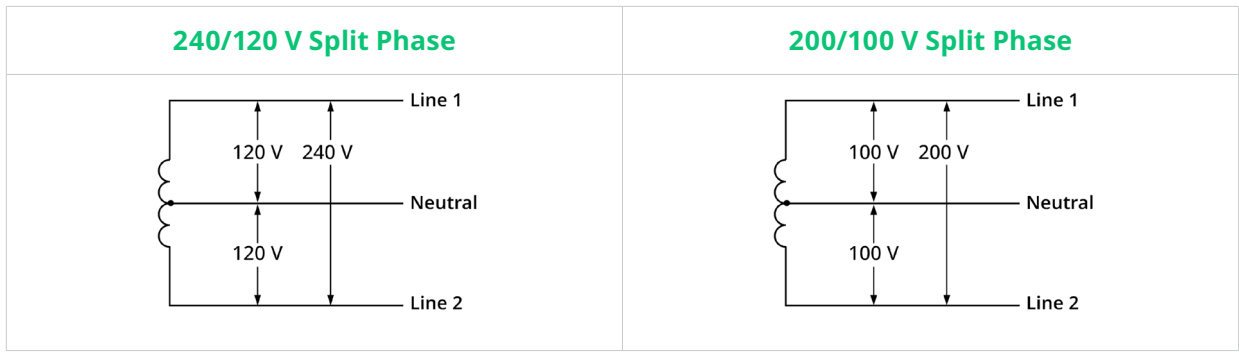
Single Phase Inverters (L-L)		
MI series	HM series	HMS series
MI-300	HM-300	HMS-400-1T
MI-350	HM-350	HMS-450-1T
MI-600	HM-400	HMS-500-1T
MI-700	HM-600	HMS-800-2T
MI-1200	HM-700	HMS-900-2T
MI-1500	HM-800	HMS-1000-2T
	HM-1200	HMS-1600-4T
	HM-1500	HMS-1800-4T
		HMS-2000-4T

240 V Delta Corner Grounding(Δ)	230 V Delta Corner Grounding(Δ)	208 V Delta Corner Grounding(Δ)
		
Single Phase Inverters (L-L)		
MI series	HM series	HMS series
MI-300	HM-300	HMS-400-1T
MI-350	HM-350	HMS-450-1T
MI-600	HM-400	HMS-500-1T
MI-700	HM-600	HMS-800-2T
MI-1200	HM-700	HMS-900-2T
MI-1500	HM-800	HMS-1000-2T
	HM-1200	HMS-1600-4T
	HM-1500	HMS-1800-4T
		HMS-2000-4T

240/208/120 V Three Phase Four Wire Delta (Δ)



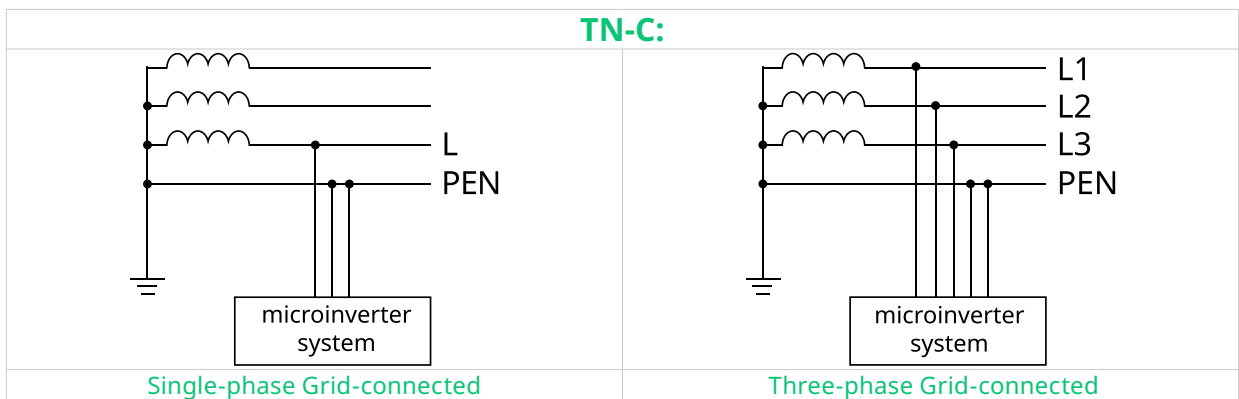
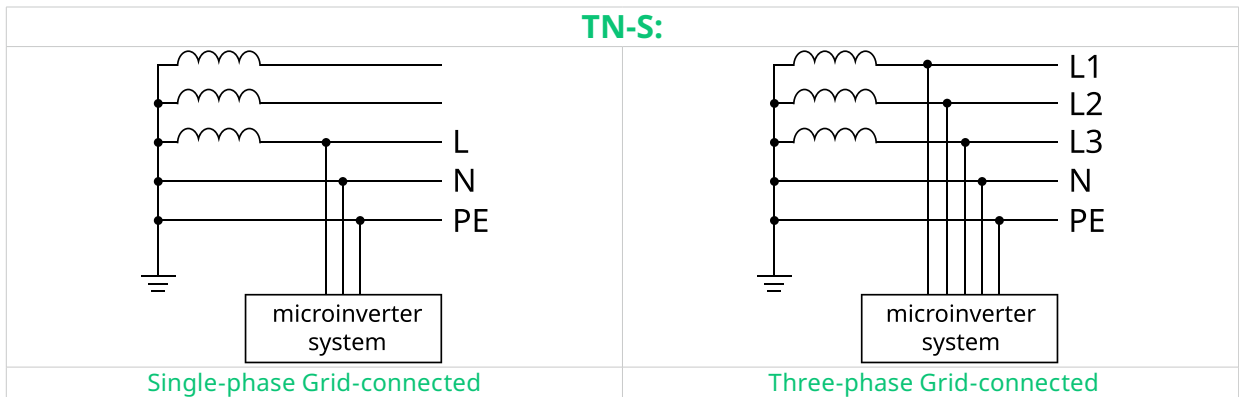
Single Phase Inverters (L-L) (L-N: 208 V)			Single Phase Inverters (L-N: 120 V)	
MI series	HM series	HMS series	MI series	HMS series
MI-300	HM-300	HMS-400-1T	MI-600LV	HMS-800-2T-LV
MI-350	HM-350	HMS-450-1T	MI-600LT	
MI-600	HM-400	HMS-500-1T	MI-700LV	
MI-700	HM-600	HMS-800-2T	MI-700LT	
MI-1200	HM-700	HMS-900-2T		
MI-1500	HM-800	HMS-1000-2T		
	HM-1200	HMS-1600-4T		
	HM-1500	HMS-1800-4T		
		HMS-2000-4T		



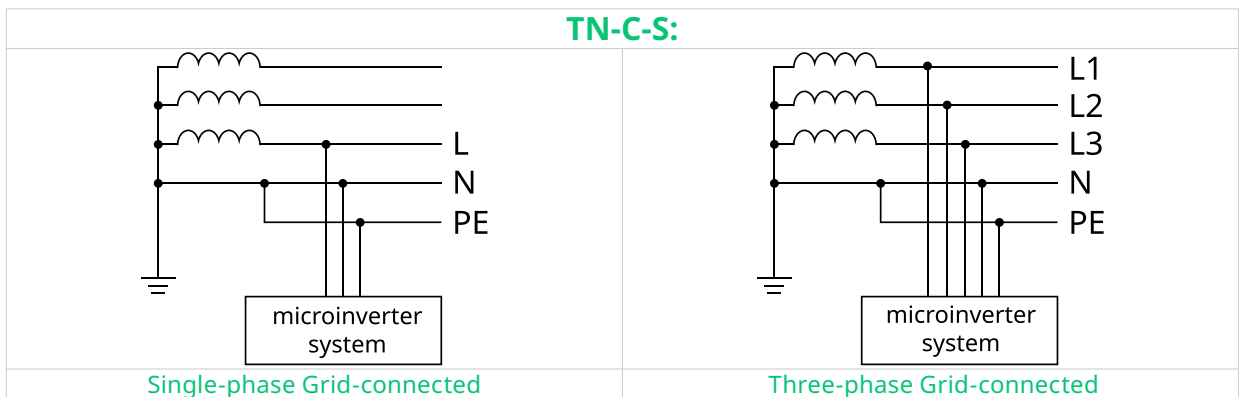
Single Phase Inverters (L-L)			Single Phase Inverters (L-N)	
MI series	HM series	HMS series	MI series	HMS series
MI-300	HM-300	HMS-400-1T	MI-600LV	HMS-800-2T-LV
MI-350	HM-350	HMS-450-1T	MI-700LV	
MI-600	HM-400	HMS-500-1T		
MI-700	HM-600	HMS-800-2T		
MI-1200	HM-700	HMS-900-2T		
MI-1500	HM-800	HMS-1000-2T		
	HM-1200	HMS-1600-4T		
	HM-1500	HMS-1800-4T		
		HMS-2000-4T		

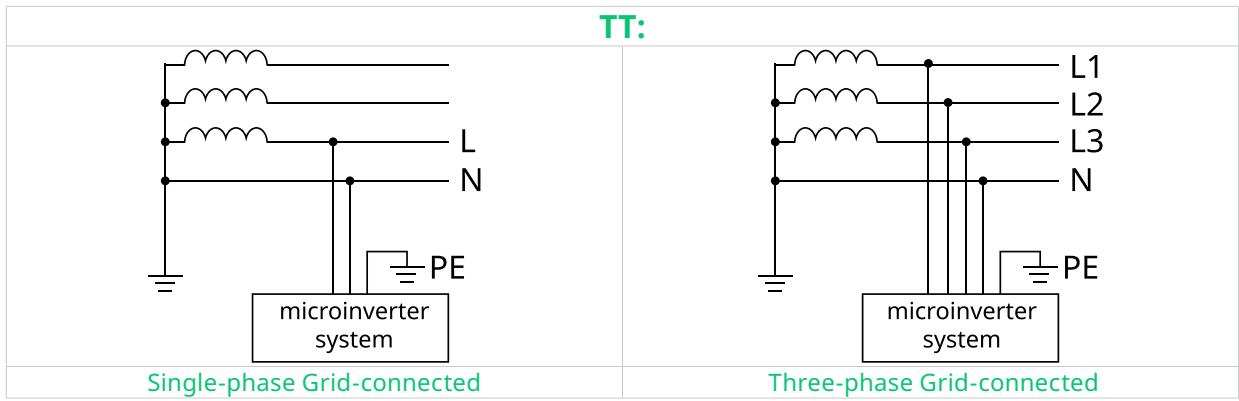
Grounding systems compatibility

Hoymiles microinverters are compatible with TN-S/TN-C/TN-C-S and TT networks.



Note: In TN-C system, when there is voltage between PEN line and ground, there will also be voltage between the casing of microinverter and ground.





If further support is required, please contact Hoymiles' support team at service@hoymiles.com.